

ALFRED TEVES BRAKE SYSTEMS (PTY) LTD

TECHNICAL BULLETIN

07 June 2022

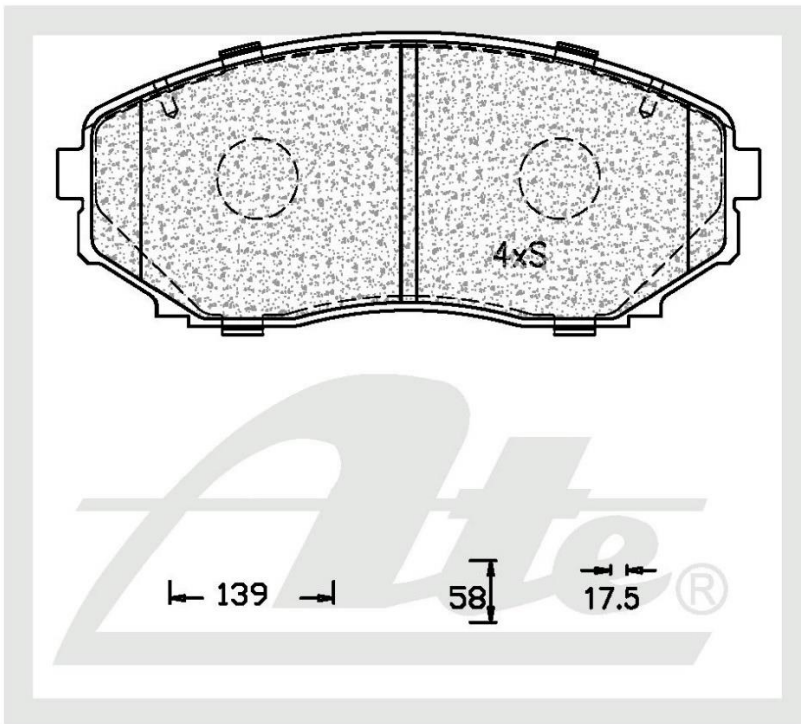


(ATE and Teves are registered trademarks of Continental Teves AG & Co oHG and/or its affiliates in Frankfurt Germany and other Countries)

ATE1426

NEW PART NUMBER

Drawing



Details of New Part

Brake Pad – Front

Product Dimensions

Length – 139mm

Height – 58mm

Thickness – 17.5mm

Package Dimensions

Weight – 1850.9g

L – 169.07mm

W – 135.32mm

H – 53.25mm

Barcode



Vehicle Applications

MITSUBISHI PAJERO SPORT III (KS_) 2.4 DI-D 2015-; MITSUBISHI ECLIPSE CROSS (GK_) 1.5 2017-; MAZDA CX-5 II (KF) 2.2 D 2017-; MAZDA CX-5 II (KF) 2.2 D AWD 2017-; MAZDA CX-7 (ER) 2.3 Turbo AWD (2006-2014); MAZDA CX-7 (ER) 2.5 (2009-2013).

Front Position Rear



CALL NOW TO ORDER YOUR STOCK!!!

(011) 898 1800

Picture(s) of the vehicle(s) that this part is suitable for



www.ate.co.za

"Single Minded about YOUR Safety"